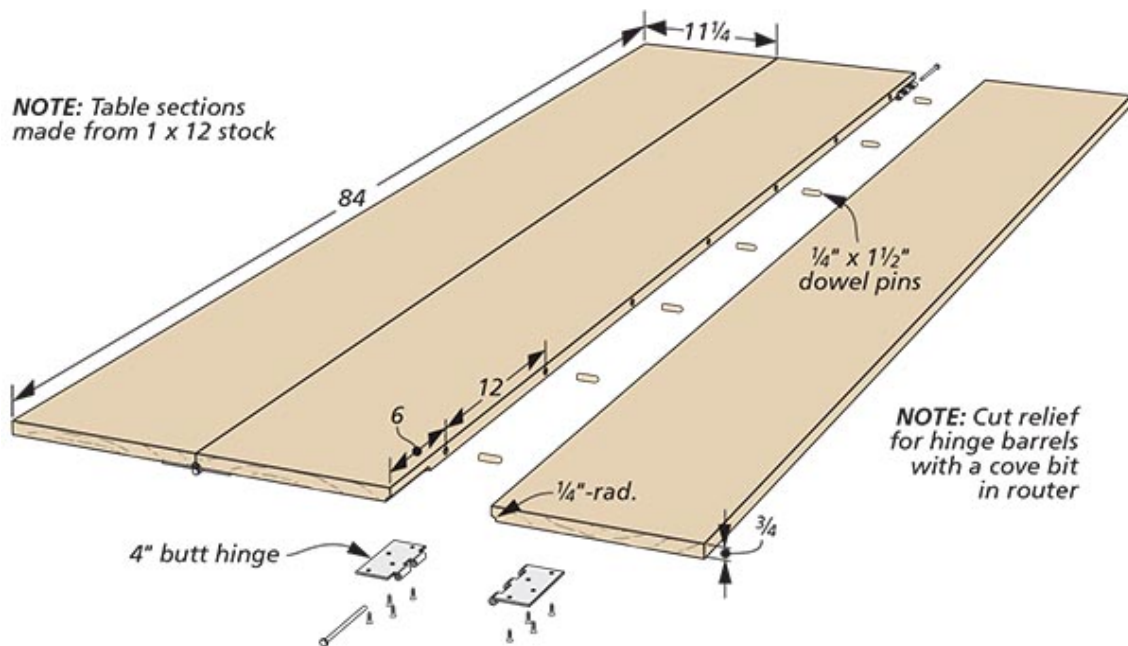




Throwing a sheet of 3/4" plywood on a couple of sawhorses to use as a temporary worksurface is a pretty common practice for many woodworkers. However, moving and storing these large sheets can be cumbersome and back-breaking. My solution was to make a knock-down worktable that could be moved and stored in sections.



The tabletop is made up of three wide boards. Be careful to pick boards that are straight and relatively flat. I installed inexpensive hinges at the mating ends of the boards. Several evenly spaced dowels positioned along the edges of the boards helps to keep the surfaces aligned during use.



Whenever I need a quick worksurface, it's easy to position the boards on sawhorses one at a time. Line up the hinges and tap the hinge pins in place to keep the table locked together. The dowels will ensure everything lines up quickly and easily.