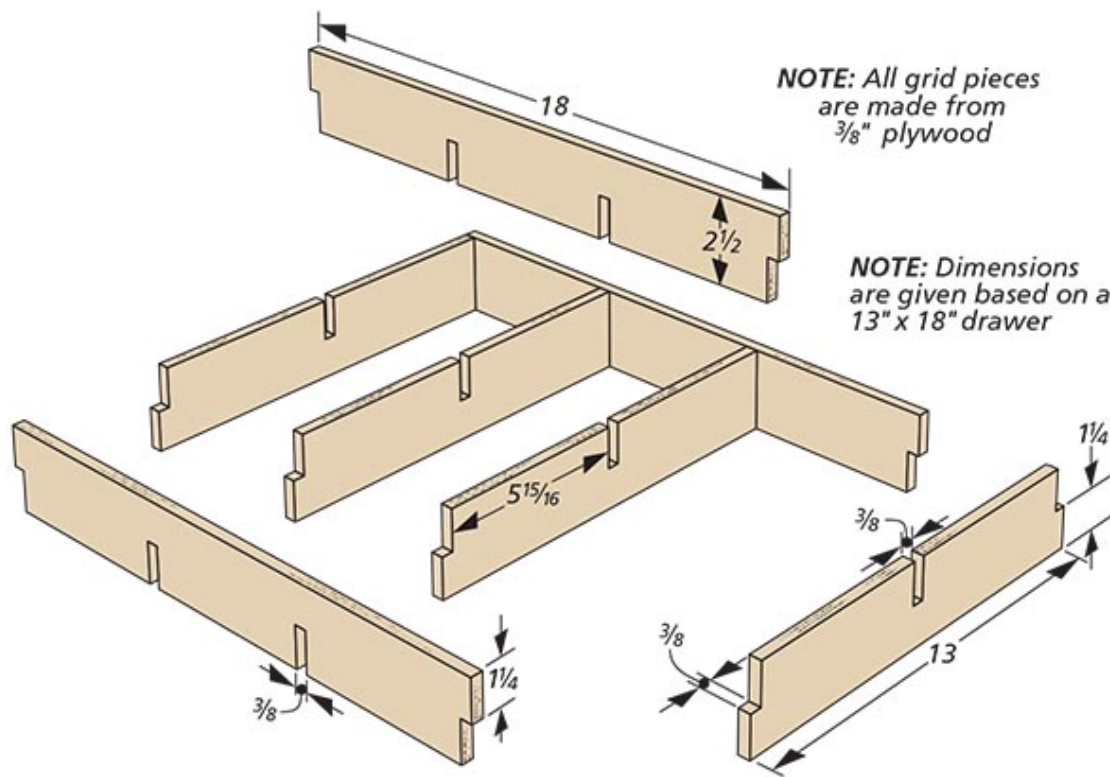
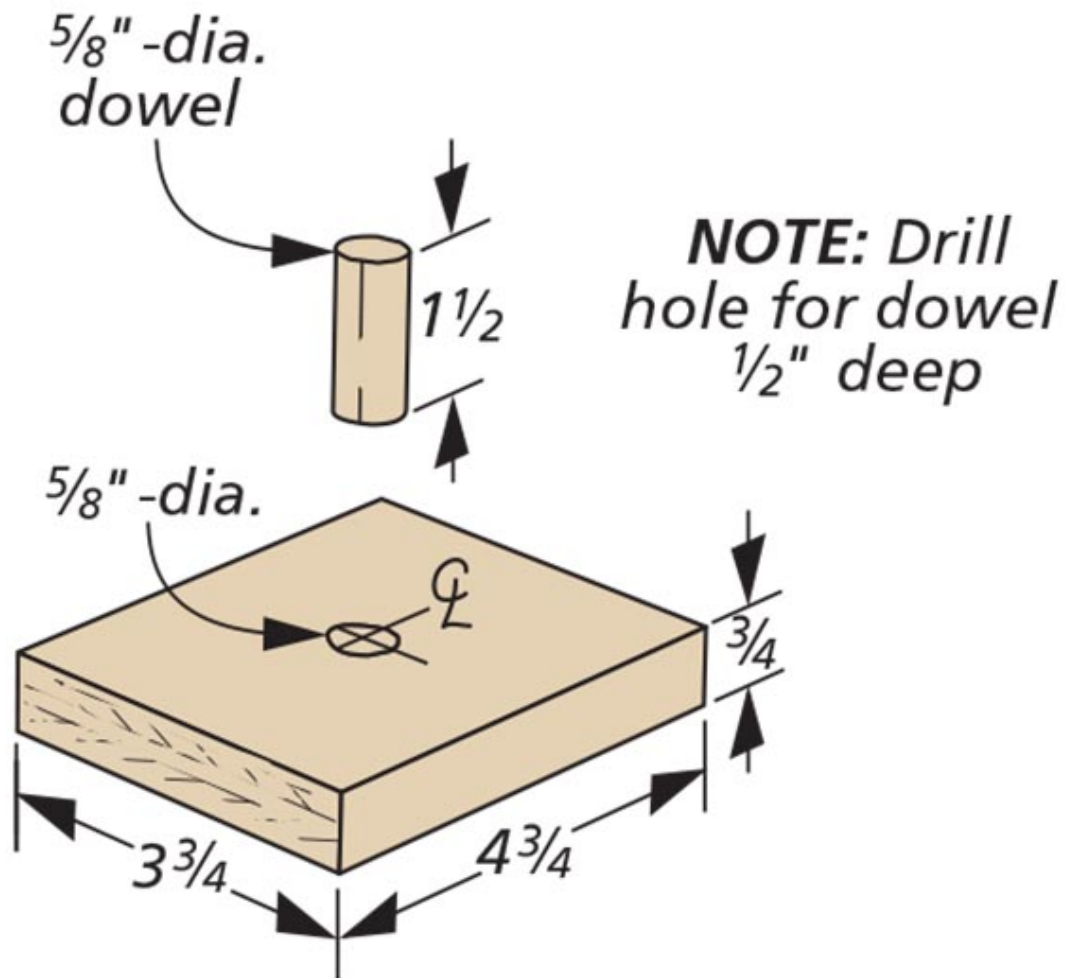




I use a quarter-sheet finishing sander quite frequently in my shop. To make changing paper as quick as possible, I like to keep sandpaper cut to size and ready to use at all times. But storing and organizing these small sheets can be a hassle, not to mention that they have a tendency to curl. To solve both of these problems, I made this storage grid for one of my shop drawers.



My storage system consists of narrow pieces of plywood, joined with notches to create the grid. These notches are easy to cut using a dado blade in the table saw. The nice thing about this storage system is that it can be customized to fit the inside of any available drawer space.



In order to keep the small sheets of sandpaper from curling in the drawer, I added blocks of plywood with a dowel handle to each bay. A label on each block makes it easy to select the grit I need.